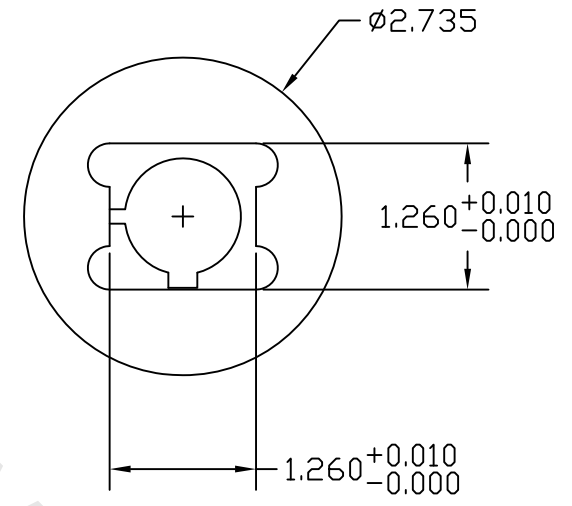
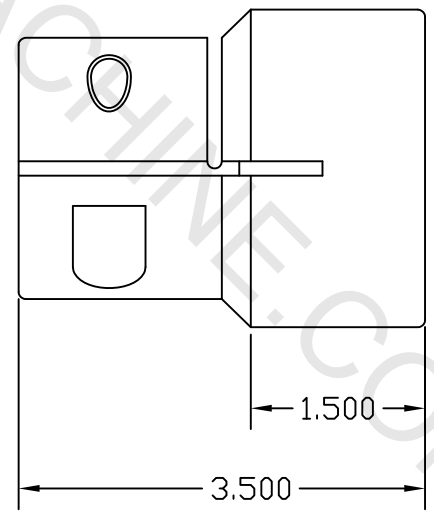
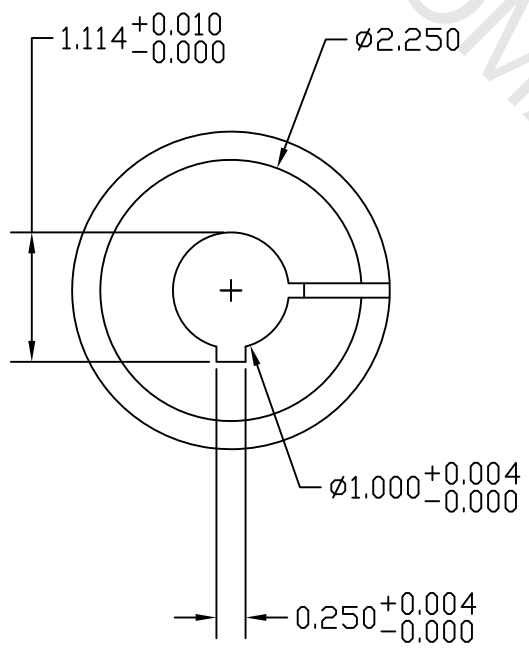


V & O Machine, Inc. Claims proprietary rights in the information disclosed herein. The document is issued in confidence and is not to be reproduced, disclosed or used other than for the expressed purpose for which it was issued. Disclosure to others without written permission from V & O Machine, Inc. is forbidden.



1" X 1 1/4" SQUARE COUPLING

DRAWN		DATE		TITLE	
		10/23/00			
ENGR		DATE		CUSTOMER	
SIZE		DWG NO.			
B		1" X 1 1/4" SQ		REV	
SCALE		NA		SHEET 1 OF 1	
				c	

V & O MACHINE, INC.
 17591 COUNTY ROAD 97 WOODLAND, CA 95695
 (530) 662-0495 FAX 662-0394